

UMETA




ASHTON SEALS
PART OF THE ASHTON GROUP

We make it move.

QUALITY MADE IN GERMANY

 GB/2017



UMETA – Your reliable partner for lubrication equipment and custom-made turned parts

MADE IN GERMANY 



Grease Nipples: Established in 1926, UMETA has become one of the worldwide leading manufacturers of grease nipples. Thanks to our SAFE-LUBE-System, which ensures that the grease goes exactly where it is required, your important equipment will always be protected. We offer about 1,500 different types – standard types as well as types on custom design – at absolute top quality. Trust in our experience and expertise.

Grease Guns: Our grease guns are manufactured to the highest quality. Only original products of UMETA have the unique and well known UMETA TWIN-LOCK-System which prevents dummy-lubrication. In addition: The UMETA EVER-FLOW-System guarantees that even high-viscosity grease flows steadily. We are able to offer custom designed colours, packaging and imprints to fulfill your special requirements. We also offer you a four-year-guarantee on the function of all our UMETA TWIN-LOCK grease guns.



*subject to our guarantee terms:
www.umeta.com

Custom-made Turned Parts: The efficient manufacturing of custom-made turned parts and valves – from individual pieces to small batches up to huge quantities – is one of our strengths. With our state-of-the-art CNC-controlled technology and comprehensively equipped machinery hall we produce high-quality turned parts in a diameter range of 3 mm up to 42 mm.



Accessories: In addition to the core UMETA lubrication equipment range, we offer you various suitable accessories for every special custom application.

Our quality management system is certified according to ISO 9001 and we hold the environmental management system according to ISO 14001.

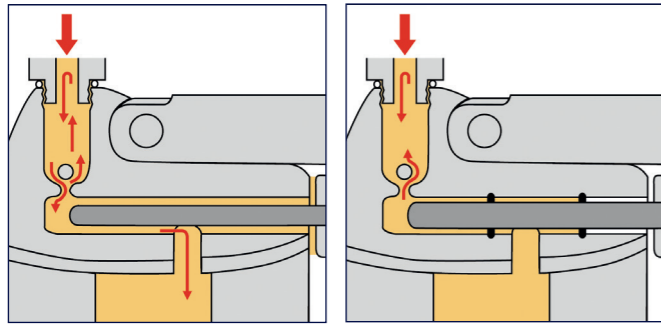


Grease Guns – the complete lubrication and accessories line



*subject to our guarantee terms:
www.umeta.com

without UMETA TWIN-LOCK-System with UMETA TWIN-LOCK-System



TWINLOCK SYSTEM **EVERFLOW** SYSTEM

UMETA TWIN-LOCK-System – The life insurance for your machinery and equipment

Two sealing elements protect the piston against abrasion and avoid dangerous dummy-lubrication. By this unique technique the grease always reaches the lubrication point and will not escape or return into the barrel. The UMETA EVER-FLOW-System enables the gun to handle high-viscous and even biodegradable greases absolutely reliable.



UMETA-nozzles and couplers

The wide range of nozzles and couplers offers you highest variability. Available adapters:

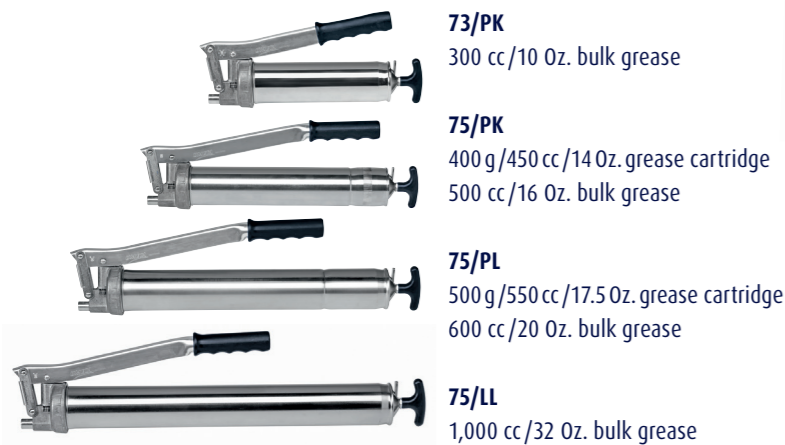
- hollow type, hydraulic type and pointed nozzles
- combo nozzles
- 4-jaw hydraulic couplers
- bayonet couplers
- button head couplers



High pressure hoses

create an ideal connection between your grease gun and the lubrication point.

- ø 11 mm polyamide hose – max. 1,000 bar / 14,500 PSI
- ø 13 mm rubber 2SN hose – max. 1,650 bar / 23,925 PSI
- available in lengths of 300 mm, 500 or 750 mm
- available with every kind of couplers and nozzles



73/PK
300 cc/10 Oz. bulk grease

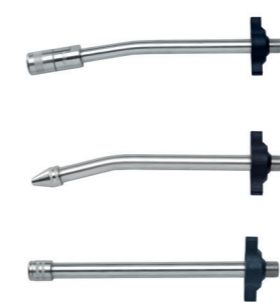
75/PK
400 g/450 cc/14 Oz. grease cartridge
500 cc/16 Oz. bulk grease

75/PL
500 g/550 cc/17.5 Oz. grease cartridge
600 cc/20 Oz. bulk grease

75/LL
1,000 cc/32 Oz. bulk grease

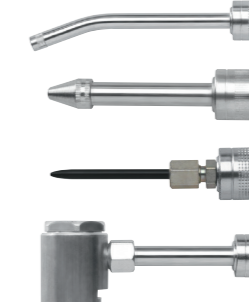


75/PKU
UMETA TWIN-LOCK ULTRA GUN combines quality and function with design and optimal firm grip. Zinc-plated version with filler valve according to DIN 1283 as standard. Filling capacity: 400 g/450 cc/14 Oz. grease cartridge 500 cc/16 Oz. bulk grease



Extension tubes

Tubes in a straight or bent version allow for the most simple, tool-free assembly by a polyamide wingnut. This enables you to adjust the bent coupler to any desired pointing direction and guarantees maximum sealing action.



Quick-adapters

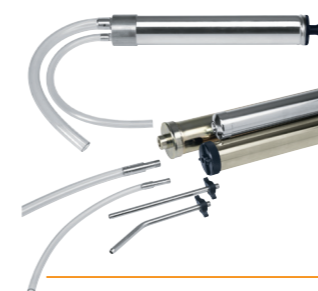
For HP-flexible hoses and extensions with hydraulic coupler.

- 200/K for drive shafts with hollow type nozzle
- 200/S for flush type nipples as per DIN 3405
- 200/XS for drive shafts and smallest grease nipples
- 200/M for button head grease nipples M1 (ø 16), M4 (ø 10) and M22 (ø 22) as per DIN 3404



85/PK
Pistol grip grease gun for hard to reach greasing points. Quick changed working positions from high pressure to maximum volume. Filling capacity: 400 g/450 cc/14 Oz. grease cartridge 500 cc/16 Oz. bulk grease

TWIN-LOCK Ultra Set
The complete lubricating equipment in a handy carrying case.



Suction guns

For suction and dispensing various liquids. Ergonomic and durable design, available in sizes from 250, 500 and 1,000 cc/8.75, 17.5 and 35.0 Oz. For a better sealing action equipped with a double sleeve. Available accessories are dispensing pipes and transparent flexibles.



Garage equipment

The practical devices for daily works in the garage, like filling devices, oil pumps, funnels etc.



70/PKT
Side lever grease gun with clear gun barrel. Shock-resistant, robust and corrosion-resistant. Filling capacity: 400 g/450 cc/14 Oz. grease cartridge 500 cc/16 Oz. bulk grease. Also available as pistol grip grease gun 80/PKT.

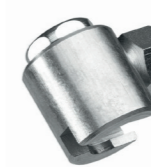


ECO-LUBE
Side lever grease gun with filler valve according to DIN 1283. Filling capacity: 400 g/450 cc/14 Oz. grease cartridge 500 cc/16 Oz. bulk grease



Super lithium multipurpose grease

According to DIN 1284. Suitable for lubricating normally strained bearings and for all grease guns according to DIN 1283. Universally applicable. Filling quantity: 400g/420 ml e/14,1 oz.



Button head couplers

For button head grease nipples as per DIN 3404.

- M4 for small button head ø 10 mm
- M1 + T1 for medium button head ø 16 mm
- M22 for giant button head ø 22 mm



DRP/30
Air operated grease gun with automatic grease supply, with filling valve and separate air release valve. Filling capacity: 400 g/450 cc/14 Oz. grease cartridge 500 cc/16 Oz. bulk grease



Oil gun 70/PKO
Specially designed for leak-proof application of oils and high-viscosity greases. Filling capacity: 500 cc/16 Oz.



Telescopic push type grease guns

According to DIN 1282-Form A, available in different sizes and types. Capacity range: 70 – 335 cc / 2.2 – 10.7 Oz. Pressure range: 100 – 200 bar / 1,450 – 2,900 PSI



Push type grease guns

According to DIN 1282-Form B, available in different sizes and types. Capacity range: 60 – 300 cc / 1.9 – 9.6 Oz. Pressure range: 100 – 200 bar / 1,450 – 2,900 PSI

Grease Nipples – the most extensive selection for you with more than 1,500 different types!



Saving grease and protecting the environment: Thanks to the unique UMETA SAFE-LUBE-System the grease flows exactly to that point where it is supposed to be.

The UMETA product range of grease nipples comprises basically:

- Standard types made of steel, stainless steel (SST303, SST316L) or brass
- Hydraulic type, ball type, flush type, bayonet type or button head grease nipples
- Standard and custom-designed sizes
- Manufactured according to all international standards like DIN, ISO, SAE, BS, JIS
- Custom-made types on request



Flush type grease nipples
Form A, B, C (180°/45°/90°),
Type D1, D2, D3



Flush type grease nipples
Drive-in version with plain shank
or serrated ridge,
Form A, B, C (180°/45°/90°)



Flush type grease nipples
Special designs in any kind of different dimensions, thread sizes and forms, manufactured in all feasible materials, amongst others available as Type DV1 + Type D3, quattro 90°.



Button head grease nipples
M4 ∅ 10 mm
M1 ∅ 16 mm
M22 ∅ 22 mm



Button head grease nipples
T1 + T1B, 15 mm HEX size



Button head grease nipples
Special designs in any kind of different dimensions, thread sizes and forms, manufactured in all feasible materials, amongst others available with pin valve or as high-pressure version with check valve.



Hydraulic type grease nipples
Form A, Type H1
straight version (180°)



Hydraulic type grease nipples
Form B, Type H2
angled version (45°/67°)



Hydraulic type grease nipples
Form C, Type H3
angled version (90°)



Bayonet type grease nipples
For an extraordinary strong and reliable connection to the pin type coupler. The design also results in a specific high flow rate of grease.



Grease nipple assortments
Different contents and numbers available.
Sort 80, Sort 170 und Sort 350



Accessories for grease nipples
Protection caps made of plastics, rubber or aluminium against contamination and for indicating the lubricating points; Drive-in tool for safe assembling of straight drive-in nipples.



Hydraulic type grease nipples
With self-tapping thread,
Form A, B, C (180°/45°/90°).
Specially surface hardened
to prevent abrasion.



Hydraulic type grease nipples drive-in version
With plain shank or serrated ridge,
Form A, B, C (180°/45°/90°),
in any kind of different versions and sizes.



Hydraulic type grease nipples special designs
In any kind of different dimensions, thread sizes and forms, manufactured in all feasible materials. Amongst others available with pin valve, check valve, extension or double-head.



Custom-made turned parts
Even small batches of individual turned parts can be manufactured with our CNC-controlled machines – all free-cutting raw materials in diameters from 3 to 42 mm.



Plugs
For subsequent closing of boreholes are usually made of steel, zinc-plated and passivated, with tapered thread. Available in many different types.



Pressure relief
For releasing excessive pressure in gearboxes or bearing housings are usually made of steel, zinc-plated and passivated, with tapered thread. Available in many different types.

MADE IN
GERMANY 



ASHTON SEALS

PART OF THE ASHTON GROUP

The Ashton Group
Speedwell Works
Cortonwood Drive
Cortonwood Business Park
Brampton
Barnsley, S73 0UF
Telephone 01226 273700
Website: www.ashton-group.co.uk
Email: ask@ashton-group.co.uk

UMETA

UMETA Hermann Ulrichskötter
Metallwarenfabrik GmbH & Co. KG
Almestraße 1-3
33649 Bielefeld · Germany
www.umeta.com

QUALITY MADE IN GERMANY



Our quality management system is certified according to **ISO 9001**

Our environmental management system is certified according to **ISO 14001**

